

## 7046

Reframe | Toilet brush wall mounted

Toilet brush wall mounted Polished steel

Toilet brushes have never been more hygienic or more stylish. During the development process, we have given a lot of thought to hygiene. The inner plastic container has a splash guard, which extends over the outer cover and ensures that no bacteria can get in between the two.

As an extra hygienic solution, the inner container is fitted with a 'tap' to make it easy to empty the container without coming into contact with bacteria.

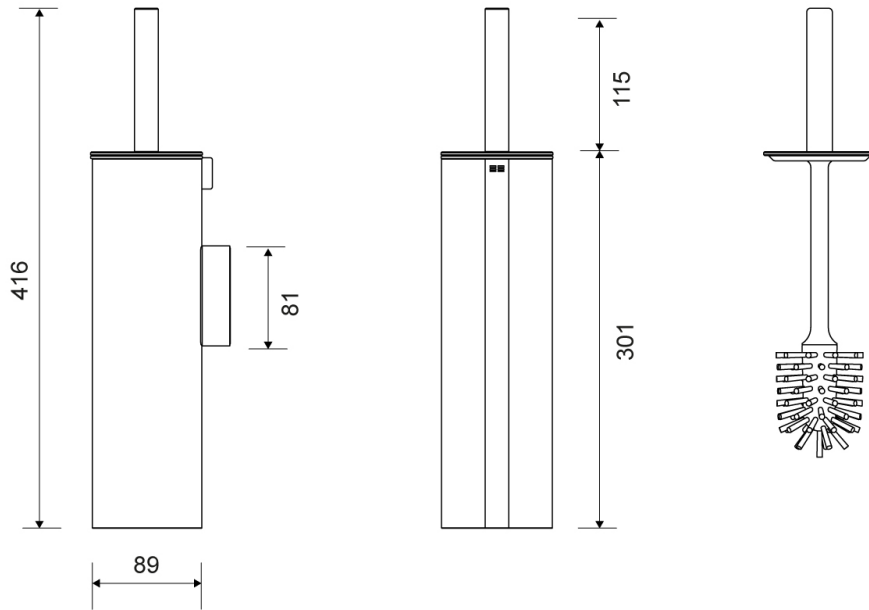
The brush head is designed to collect as little water and paper as possible, thus reducing unwanted dripping of toilet water. Choose between a wall-mounted and a floor-standing model. The brush head can be replaced.

The pack contains fittings, screws and an Unbraco key for assembly.



### Specifications

<b>ITEM NUMBER</b>	<b>GTIN NUMBER</b>	<b>WEIGHT</b>
7046	5707692010632	2100 g
<b>MATERIAL</b>	<b>SURFACE</b>	<b>HEIGHT</b>
Stainless steel (AISI 304)	Polished steel	416 mm
<b>DIAMETER</b>		
89 mm		



**7046**

Products